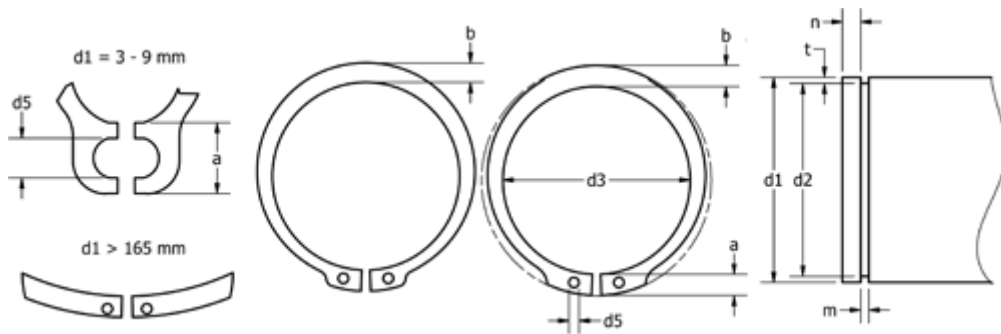


Article number: 0101120  
 Description: Retaining ring A 145 DIN 471  
 Spring steel  
 Note: Fitted with ZGA pilers

## Measures



a max	= 12.2	FN kN	= 149.0	s	= 4.00
AN mm <sup>2</sup>	= 898.0	FRg kN	= 53.80	t	= 2.00
b	= 11.5	FR kN	= 367.00	tol	= -0.63
d1	= 145	g	= 4.0	tol	= -0.10
d2	= 141.0	K kN-mm	= 833.00	tol	= +0,63-1,50
d3	= 138.0	m min	= 4.15	Tong	= ZGA-5
d5 min	= 4.0	n abl x 1000	= 3.0	Weight kg/1000	= 115.000
Description	= A145	Nominal drive	= 6.0		